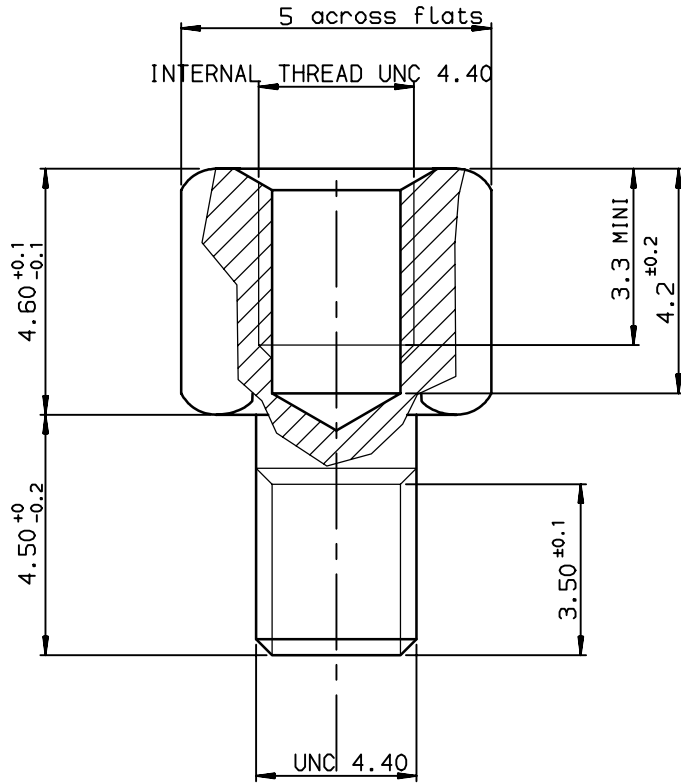


TECHNICAL CHARACTERISTICS :

Female screw locks: stell, tin plated .

Packaging : per 100 pieces .

Corrosion resistance : 24 hours exposure to salt spray .



Part number	86551166T
Part number	86551166TLF

NOTE: RoHS INFORMATIONS

- The "LF" products meet European union Directives and other country regulations as described in GS-22-008.
- Plating Sn (pure bright) over copper
- Packaging spec: see GS-14-920

European Views

www.fciconnect.com		surface ISO 1302 <input checked="" type="checkbox"/>	tolerance std ISO 406 ISO 1101	projection 	mm
TOLERANCES UNLESS OTHERWISE SPECIFIED					
Dr	JOUBERT	2001/07/06	ANGULAR	0.X ± 0.1	size A3
Eng	PESSON	2001/07/06	LINEAR	0.XX ± 0.1	Scale 2
Chr	LEGARE	2001/07/06	0.XX' $\pm 2'$	0.XXX ± 0.1	ECN LS06-0097
Appr	LEGARE	2001/07/06	Product family	D-SUB	Spec ref -
		title FEMALE SCREW LOCKS			Rev. C
catalog no		-			dwg no C01-8655-0617
CUSTOMER		sheet 1 of 1			

rev	ecn no	dr	date
A	-	JOU	2001/07/06
B	LS05-0026	MPE	2005/07/08
C	LS06-0097	LGO	2006/07/28
-	-	-	-
-	-	-	-
-	-	-	-



Copyright FCI.